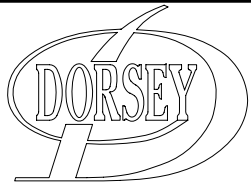
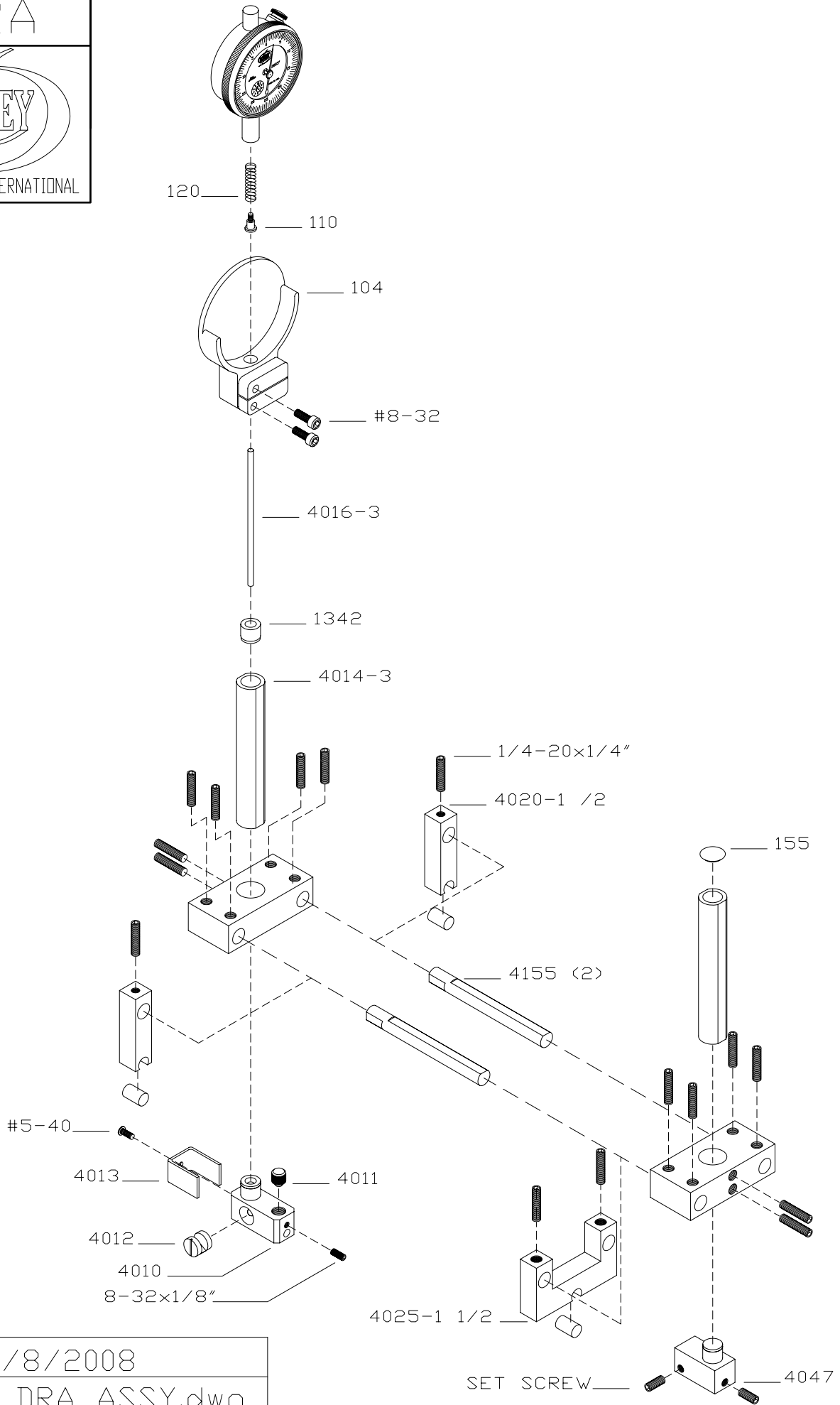


LDRA



METROLOGY INTERNATIONAL



REV: 1/8/2008

FILE: LDRA ASSY.dwg

SET SCREW 4047