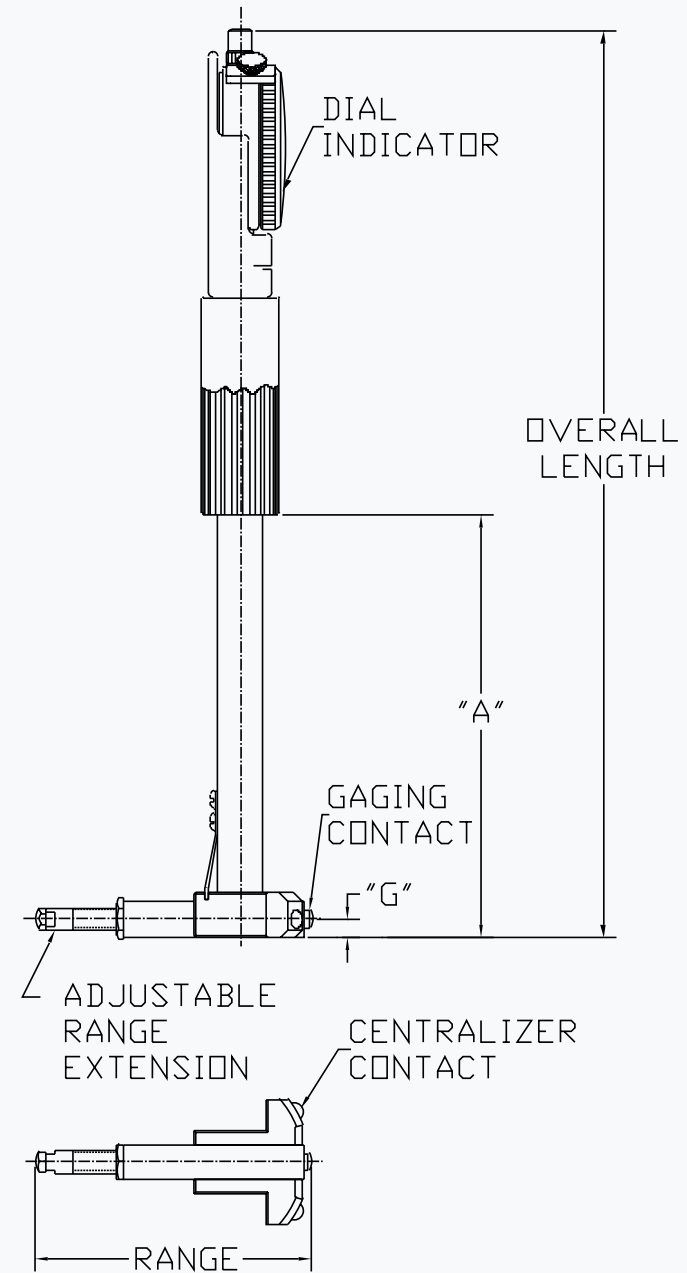


# DBL SERIES - INTERNAL DIAL BORE GAGES

MODEL	RANGE (inches)	OVERALL LENGTH (inches)	"A" GAGING DEPTH (inches)	"G" DIMENSION (inches)	GAGING CONTACT TRAVEL	
					STANDARD (inches)	OPTIONAL (inches)
DBL-248-S	.248-.501	6.31	2.25	.140	.010	.016
DBL-248-C	.248-.501	6.31	2.25	.140	.010	.016
DBL-499-S	.499-1.001	9.75	3.00	.188	.016	.022
DBL-499-C	.499-1.001	9.75	3.00	.188	.016	.022
DBL-998-S	.998-1.501	9.75	3.00	.188	0.25	.050
DBL-998-C	.998-1.501	9.75	3.00	.188	0.25	.050
DBL-1499-S	1.499-3.00	10.75	4.00	.188	.025	.050
DBL-1499-C	1.499-3.00	10.75	4.00	.188	.025	.050
DBL-300-S	3.00-6.00	11.75	5.00	.250	.025	.070
DBL-300-C	3.00-6.00	11.75	5.00	.250	.025	.070
SPECIAL RANGE MODELS						
DBL-365-S	.365-.620	6.31	2.25	.140	.010	.016
DBL-620-S	.620-1.001	9.75	3.00	.188	.016	.022
DBL-200-S	2.00-4.00	10.75	4.00	.188	.025	.050
DBL-400-S	4.00-10.00	11.75	5.00	.250	.025	.070

Note: For optional gaging contact travel add -GC to part #.  
 For gage less indicator, add -NI to part #.  
 Special gaging depths available per application.  
 -S – Steel, -C – Carbide



Also available with ISO 17025 certifications.



Proudly made in the USA

